

**PRODUCT DESCRIPTION**

Trimless recessed fixture housing, constructed of extruded aluminum profiles, providing a crisp and true finished ceiling opening. Fixture houses a series of independently adjustable lamp assemblies for downlighting and accent lighting applications. Designed and engineered lampholder assemblies are die cast and machined for precision and appearance. Finite adjustments with position locking allows the assemblies to tilt up to 45 degrees and rotate 359 degrees.

**ELECTRICAL**

Electrical wiring is easily accessible through removable access doors located in the side of the housing. Fixture is supplied only with electronic power supplies, easily removable through access door. UL Listed as "suitable for use with thru branch wiring." Thermal protector is located in the power supply compartment to protect against overheating and easily accessible through access door located in housing.

**LAMPS**

T6, G12 Base, CMH Lamps, 39 or 70W.

**SERVICING AND ADJUSTMENTS**

All components are easily accessible and removable from below. Two-piece lamp and lens holder assembly incorporates our acuthead design, eliminating freezing of the screw threads and allowing ease of relamping.

**INSTALLATION**

Housing to be supported by threaded rods. Sheet rock ceiling material shall be attached to trimless frame with screws.

**LABELS**

cULus Listed for non-type IC applications. " Suitable for use in damp locations. "

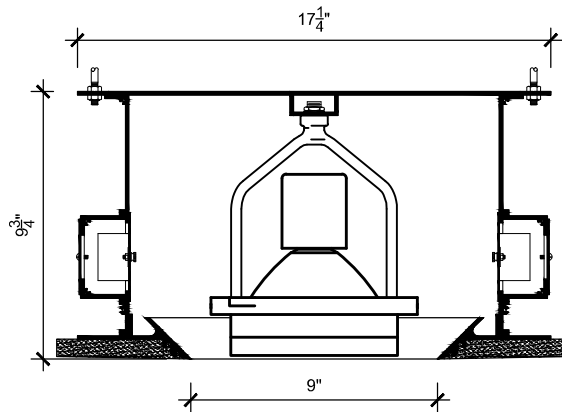
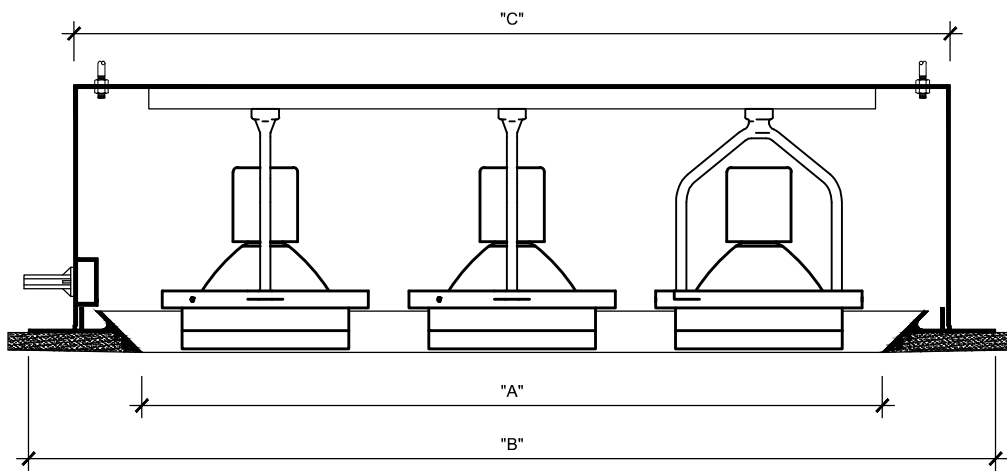
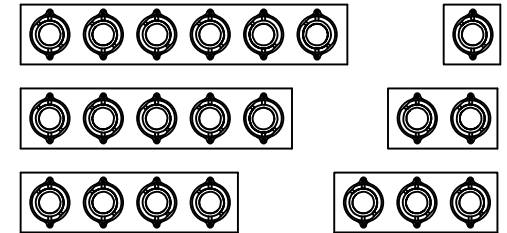
**LYTEPOD SERIES**

RECESSED TRIMLESS T6 CMH

PROJECT: \_\_\_\_\_

FIXTURE TYPE: \_\_\_\_\_

CATALOG NUMBER: \_\_\_\_\_



	"A"	"B"	"C"
1T6 CMH	9"	17 1/4"	14"
2T6 CMH	18"	26 1/4"	23
3T6 CMH	27"	35 1/4"	32
4T6 CMH	36"	44 1/4"	41
5T6 CMH	45"	53 1/4"	50
6T6 CMH	54"	62 1/4"	59

**FIXTURE ORDERING INFORMATION:**

**CLSLP - TR** - - - - -

- Fixture Series: CLSLP
- Housing Type: TR = Trimless
- Number of Lamps: 1T6 CMH, 2T6 CMH, 3T6 CMH, 4T6 CMH, 5T6 CMH, 6T6 CMH
- Beam Spread: W = Wide, N = Narrow, S = Spot
- Wattage: 39 = 39 Watts, 70 = 70 Watts
- Fixture Finish: SB = Satin Black, SW = Satin White
- Input Power Voltage: 120V, 277V
- Shielding: R = Ribbed Glass Spread Lens, S = Solite Lens, P = Prismatic 73 Glass Lens, H = Hexcel Louver



985 Trade Drive, Suite E, North Las Vegas, NV 89030  
 Tel (702) 897-1400 Fax (702) 897-1414  
 www.creativelightsourceinc.com