

**PRODUCT DESCRIPTION**

Trimless recessed fixture housing, constructed of extruded aluminum profiles, providing a crisp and true finished ceiling opening. Fixture houses a series of independently adjustable lamp assemblies for downlighting and accent lighting applications. Designed and engineered lampholder assemblies are die cast and machined for precision and appearance. Finite adjustments with position locking allows the assemblies to tilt up to 45 degrees and rotate 359 degrees.

**ELECTRICAL**

Electrical wiring is easily accessible through removable access doors located in the side of the housing. Fixture is supplied only with electronic power supplies, easily removable through access door. UL Listed as "suitable for use with thru branch wiring." Thermal protector is located in the power supply compartment to protect against overheating and easily accessible through access door located in housing.

**LAMPS**

PAR38 INC Lamps, 100 Watts Maximum.

**SERVICING AND ADJUSTMENTS**

All components are easily accessible and removable from below. Two-piece lamp and lens holder assembly incorporates our acuthead design, eliminating freezing of the screw threads and allowing ease of relamping.

**INSTALLATION**

Housing to be supported by threaded rods. Sheet rock ceiling material shall be attached to trimless frame with screws.

**LABELS**

cULus Listed for non-type IC applications. " Suitable for use in damp locations. "

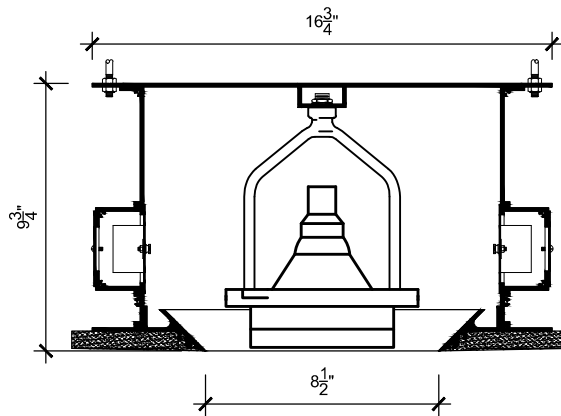
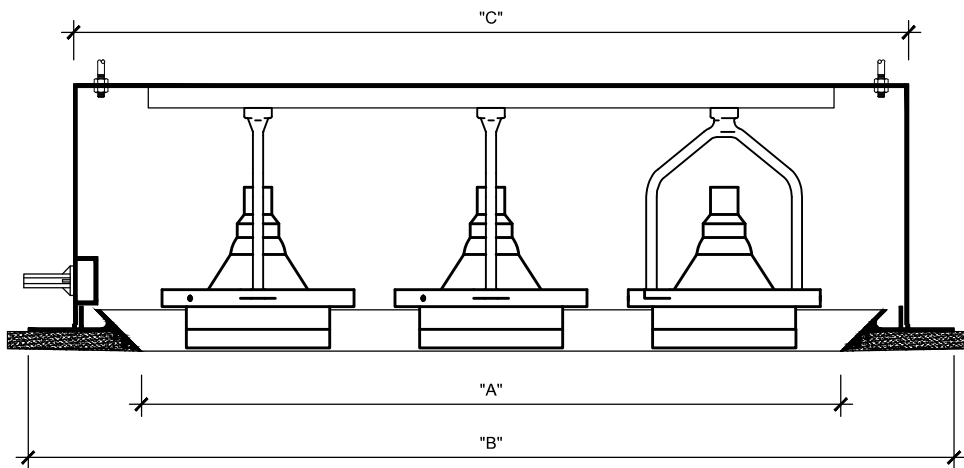
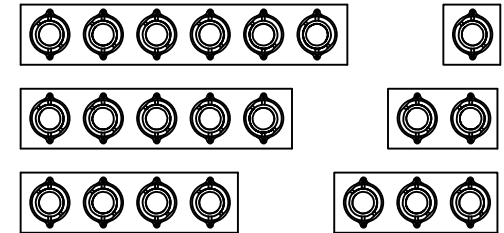
**LYTEPOD SERIES**

RECESSED TRIMLESS PAR38 INC

PROJECT: \_\_\_\_\_

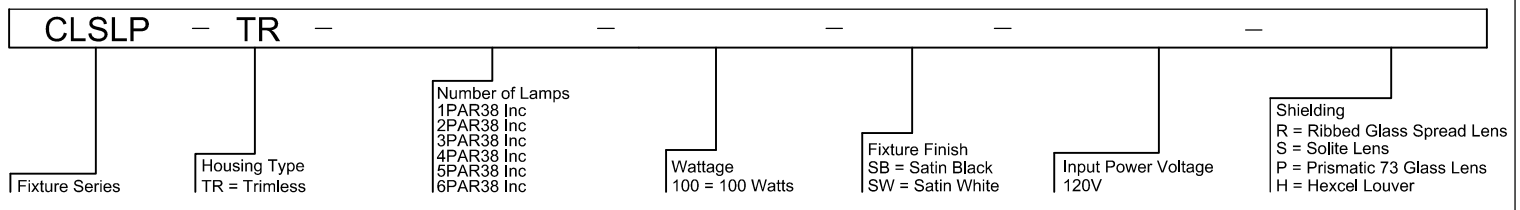
FIXTURE TYPE: \_\_\_\_\_

CATALOG NUMBER: \_\_\_\_\_



	"A"	"B"	"C"
1PAR38 INC	8 1/2"	16 3/4"	13 1/2"
2PAR38 INC	17"	25 1/4"	22"
3PAR38 INC	25 1/2"	33 3/4"	30 1/2"
4PAR38 INC	34"	42 1/4"	39"
5PAR38 INC	42 1/2"	50 3/4"	47 1/2"
6PAR38 INC	51"	59 1/4"	56"

**FIXTURE ORDERING INFORMATION:**



985 Trade Drive, Suite E, North Las Vegas, NV 89030  
 Tel (702) 897-1400 Fax (702) 897-1414  
 www.creativelightsourceinc.com