

PRODUCT DESCRIPTION

Trimless recessed fixture housing, constructed of extruded aluminum profiles, providing a crisp and true finished ceiling opening. Fixture houses a series of independently adjustable lamp assemblies for downlighting and accent lighting applications. Designed and engineered lampholder assemblies are die cast and machined for precision and appearance. Finite adjustments with position locking allows the assemblies to tilt up to 45 degrees and rotate 359 degrees.

ELECTRICAL

Electrical wiring is easily accessible through removable access doors located in the side of the housing. Fixture is supplied only with electronic power supplies, easily removable through access door. UL Listed as "suitable for use with thru branch wiring." Thermal protector is located in the power supply compartment to protect against overheating and easily accessible through access door located in housing.

LAMPS

CDM TM Lamps, 20 Watts or 39 Watts..

SERVICING AND ADJUSTMENTS

All components are easily accessible and removable from below. Two-piece lamp and lens holder assembly incorporates our acuthead design, eliminating freezing of the screw threads and allowing ease of relamping.

INSTALLATION

Housing to be supported by threaded rods. Sheet rock ceiling material shall be attached to trimless frame with screws.

LABELS

cULus Listed for non-type IC applications. " Suitable for use in damp locations. "

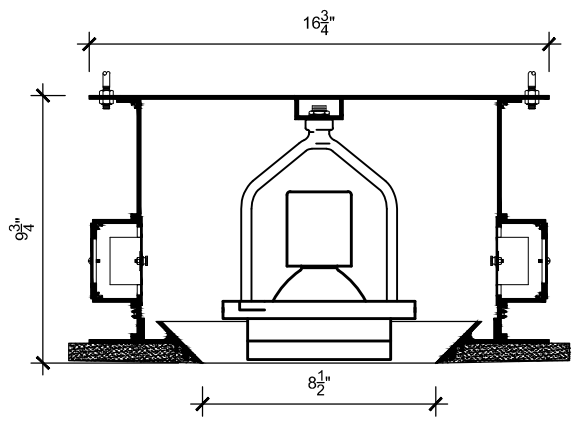
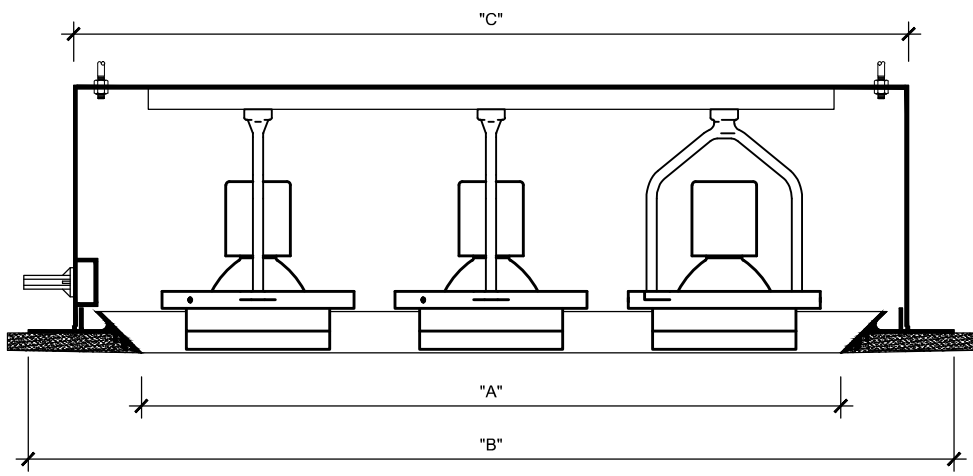
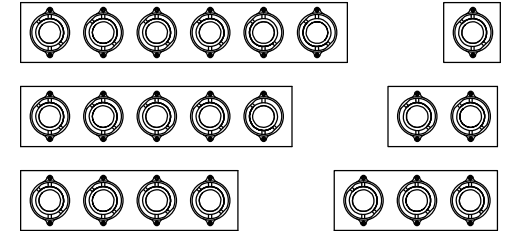
LYTEPOD SERIES

RECESSED TRIMLESS CDM TM

PROJECT: _____

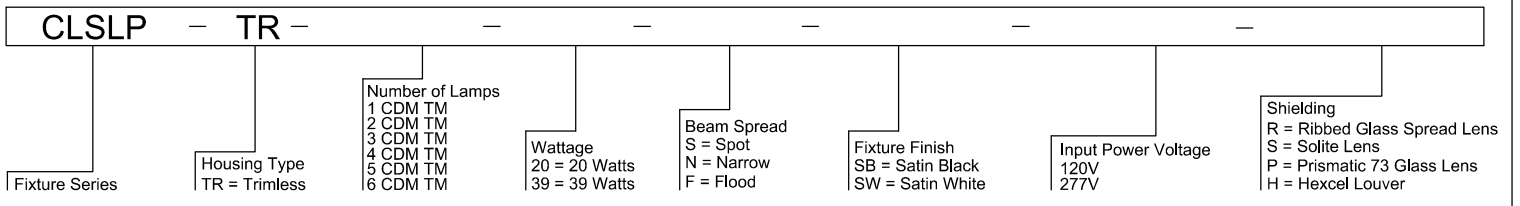
FIXTURE TYPE: _____

CATALOG NUMBER: _____



	"A"	"B"	"C"
1	8 1/2"	16 3/4"	13 1/2"
2	17"	25 1/4"	22"
3	25 1/2"	33 3/4"	30 1/2"
4	34"	42 1/4"	39"
5	42 1/2"	50 3/4"	47 1/2"
6	51"	59 1/4"	56"

FIXTURE ORDERING INFORMATION:



985 Trade Drive, Suite E, North Las Vegas, NV 89030
 Tel (702) 897-1400 Fax (702) 897-1414
 www.creativelightsourceinc.com