

PRODUCT DESCRIPTION

Trimless all extruded aluminum recessed fixture, housing a series of independently adjustable lamp assemblies for downlighting or accent lighting applications. Lampholder assemblies are die cast and machined for precision and appearance, designed and engineered to tilt up to 45° and rotate 359°.

ELECTRICAL

Electrical wiring is easily accessible through removeable access doors located in the side of the housing. Fixture is supplied only with electronic power supplies, easily removable through access door. UL Listed as "suitable for use with thru branch wiring." Thermal protector is located in the power supply compartment to protect against overheating and easily accessible through access door located in housing.

LAMPS

CDMR111 Lamps, 39 Watts or 70 Watts

SERVICING AND ADJUSTMENTS

All components are easily accessible and removeable from below. Two-piece lamp and lens holder assembly incorporates our acuthead design, eliminating freezing of the screw threads and allowing ease of relamping.

INSTALLATION

Housing to be supported by threaded rods. Sheet rock ceiling material shall be attached to trimless frame with screws.

LABELS

cULus Listed for non-type IC applications. " Suitable for use in damp locations. "

LYTEPOD SERIES

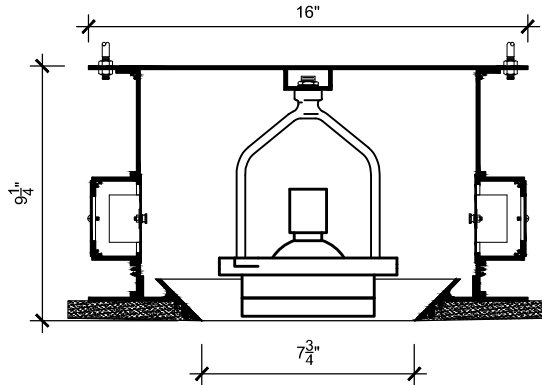
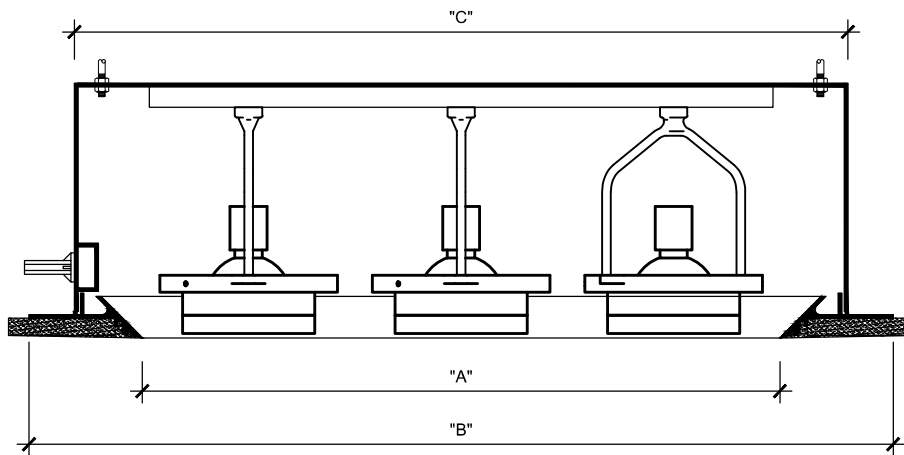
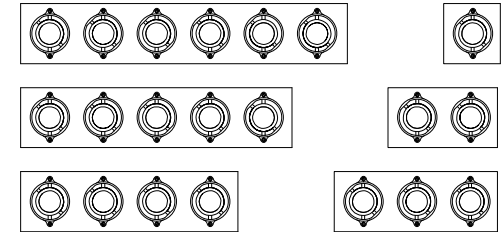
RECESSED TRIMLESS

CDMR111

PROJECT: _____

FIXTURE TYPE: _____

CATALOG NUMBER: _____



	"A"	"B"	"C"
1CDMR111	7 3/4"	16"	12 3/4"
2CDMR111	15 1/2"	23 3/4"	20 1/2"
3CDMR111	23 1/4"	31 1/2"	28 1/4"
4CDMR111	31"	39 1/4"	36"
5CDMR111	38 3/4"	47"	43 3/4"
6CDMR111	46 1/2"	54 3/4"	51 1/2"

FIXTURE ORDERING INFORMATION:

