

**PRODUCT DESCRIPTION**

Flanged recessed fixture housing, constructed of extruded aluminum profiles, providing a crisp and true finished ceiling opening. Fixture houses a series of independently adjustable lamp assemblies for downlighting and accent lighting applications. Designed and engineered lampholder assemblies are die cast and machined for precision and appearance. Finite adjustments with position locking allows the assemblies to tilt up to 45 degrees and rotate 359 degrees.

**ELECTRICAL**

Electrical wiring is easily accessible through removable access doors located in the side of the housing. Fixture is supplied only with electronic power supplies, easily removable through access door. UL Listed as "suitable for use with thru branch wiring." Thermal protector is located in the power supply compartment to protect against overheating and easily accessible through access door located in housing.

**LAMPS**

PAR30 INC Lamps, 75 Watts Maximum.

**SERVICING AND ADJUSTMENTS**

All components are easily accessible and removable from below. Two-piece lamp and lens holder assembly incorporates our acuthead design, eliminating freezing of the screw threads and allowing ease of relamping.

**INSTALLATION**

Housing to be supported by threaded rods. Sheet rock ceiling aperture shall be overlapped with fixture trim flange.

**LABELS**

cULus Listed for non-type IC applications. " Suitable for use in damp locations. "

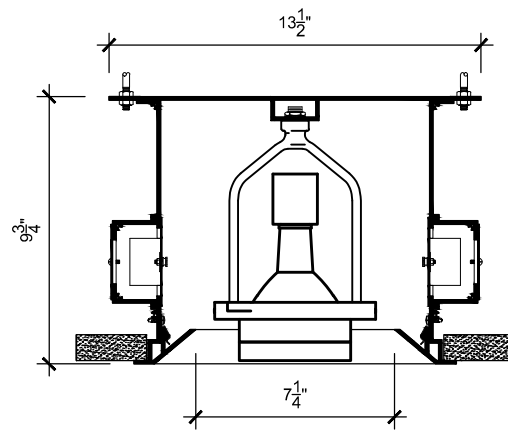
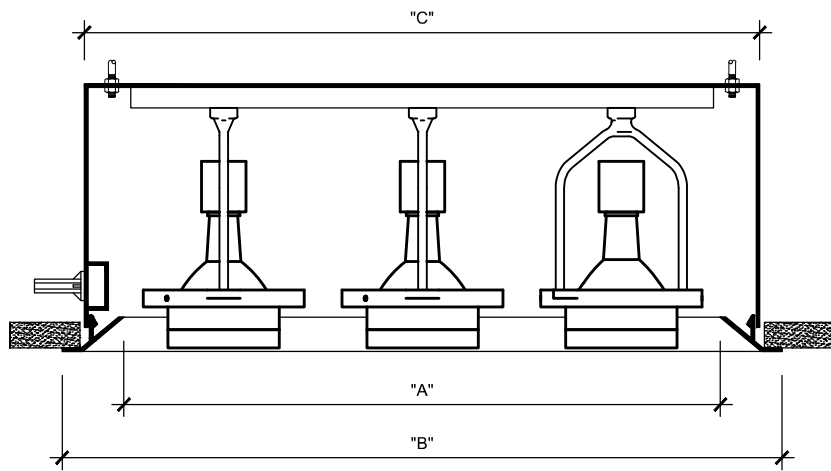
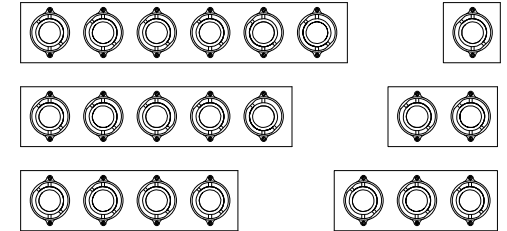
**LYTEPOD SERIES**

RECESSED FLANGED PAR30 INC

PROJECT: \_\_\_\_\_

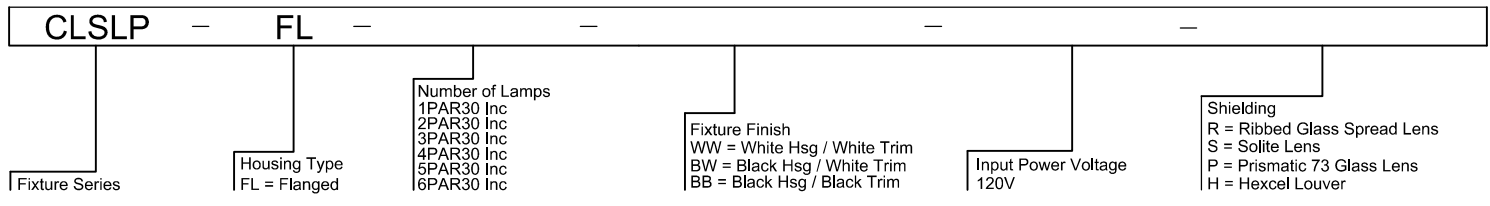
FIXTURE TYPE: \_\_\_\_\_

CATALOG NUMBER: \_\_\_\_\_



	"A"	"B"	"C"
1PAR30 INC	7 1/4"	11 3/4"	10"
2PAR30 INC	14 1/2"	19"	17 1/4"
3PAR30 INC	21 3/4"	26 1/4"	24 1/2"
4PAR30 INC	29"	33 1/2"	31 3/4"
5PAR30 INC	36 1/4"	40 3/4"	39"
6PAR30 INC	43 1/2"	48"	46 1/4"

**FIXTURE ORDERING INFORMATION:**



985 Trade Drive, Suite E, North Las Vegas, NV 89030  
 Tel (702) 897-1400 Fax (702) 897-1414  
 www.creativelightsourceinc.com